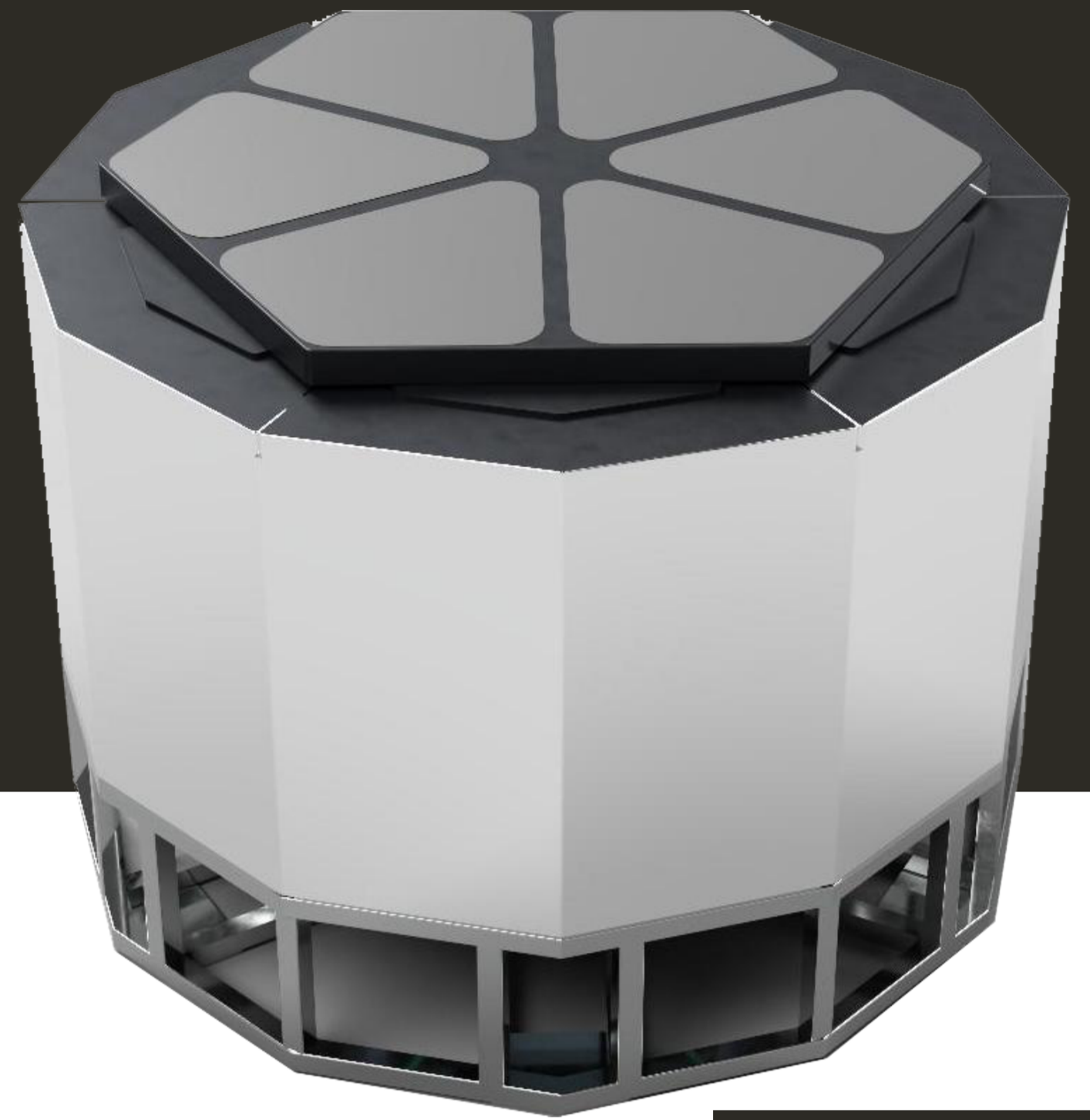




400kW DIGITAL BOILER™



ABOUT MINTGREEN

MintGreen is a Canadian cleantech company specializing in proprietary Digital Boilers. These boilers deliver affordable low carbon heating to campuses, communities, resorts and commercial processes by capturing 97% of energy produced from the compute of Bitcoin mining and AI.

1970 TON
ANNUAL CO2
REDUCTION
PER MW

*CLEAN ENERGY SOURCE VS NATURAL GAS

Digital Boilers are electric boilers that produce an additional revenue stream. Systems are sized to the heating needs of a client, and co-located within a standard mechanical room or modularized and situated adjacent to thermal demand.

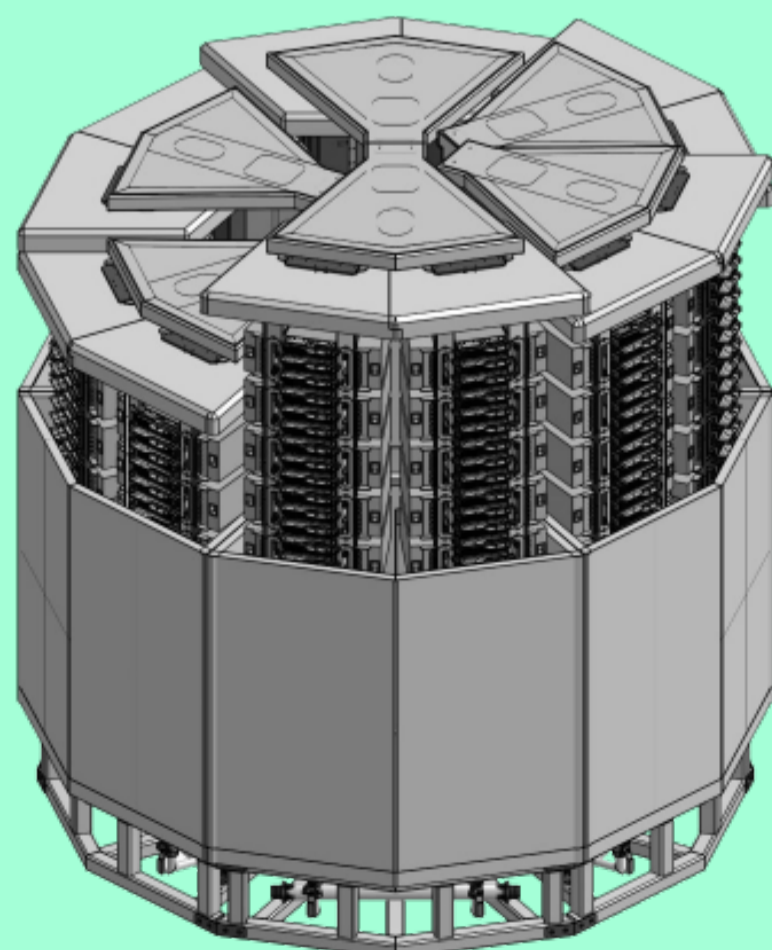
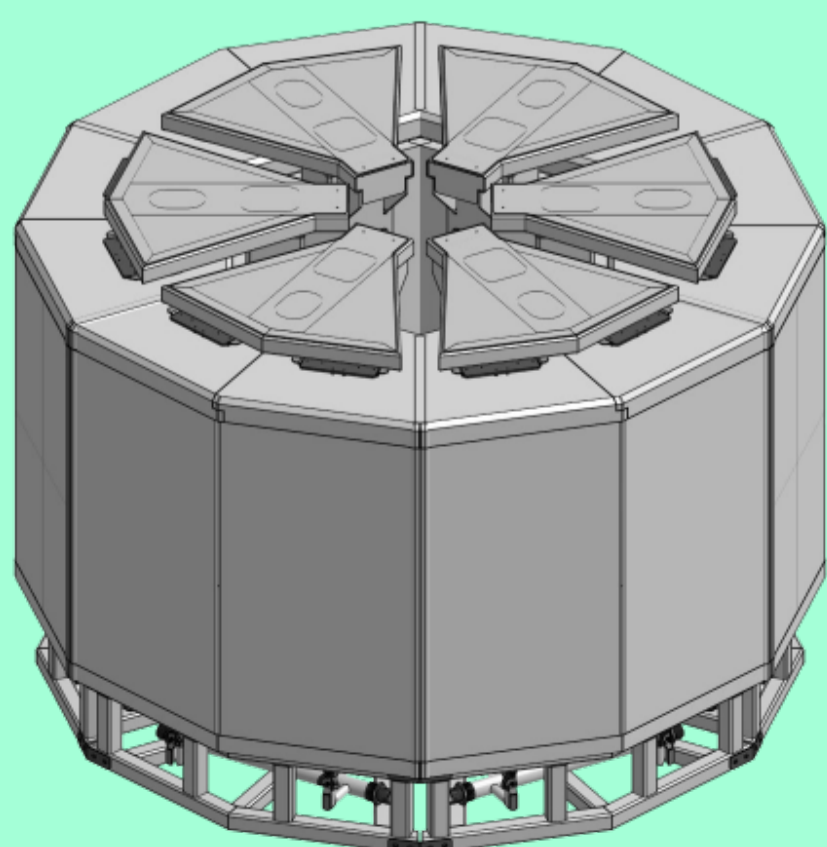
Our 400 kW flagship Digital Boiler delivers over 1,325,000 BTU, with industry leading supply temperatures up to 85°C / 185°F.

HACKING THE ECONOMICS OF CLEAN ELECTRIC HEAT

Tapping into MintGreen's award winning Digital Boiler puts your project at the cutting edge of sustainable technology and profitability:

1. Making the cost of heating more affordable
2. Improving your carbon footprint
3. Increasing earnings and efficiency
4. Being a part of the digital revolution

400 KW DIGITAL BOILER



SPECIFICATIONS

Nominal Heat Output	400 kW
Max Output Temperature	85°C/185°F
Efficiency	>96%
Voltage (V)	220-240 VAC
Pressure	Atmospheric
Weight	4950kg/10912lbs
Height	140cm/55in
Diameter	200cm/79in

HOW TO WORK WITH US

1. Learn how our Digital Boiler can meet your needs with a technical consultation
2. Receive a custom proposal for your system
3. Sign a Heat Offtake or Service Agreement
4. We produce, install and commission Digital Boiler(s) where you need the heat
5. We manage and maintain the Digital Boiler(s)
6. Enjoy electric heating powered by Bitcoin!

CHOOSE THE OPTION THAT WORKS BEST FOR YOU:

1

FREE BOILER WITH 8+ YEAR HEAT OFFTAKE AGREEMENT

MintGreen will commission and install a Digital Boiler at no cost to eligible companies that sign an 8+ year Heat Offtake Agreement. We manage and maintain the system over the course of the contract, while you receive low carbon electric heating below the cost of energy.

WE FUND THE CAPEX

2

PURCHASE BOILER; ENJOY THE HEAT & EARN BITCOIN

Purchase a 400kW Digital Boiler and use clean electric energy *twice*. Electrify your heating system and ROI on your boiler by earning Bitcoin. MintGreen manages and maintains the system as a part of our Service Agreement.

YOU GET THE BITCOIN

